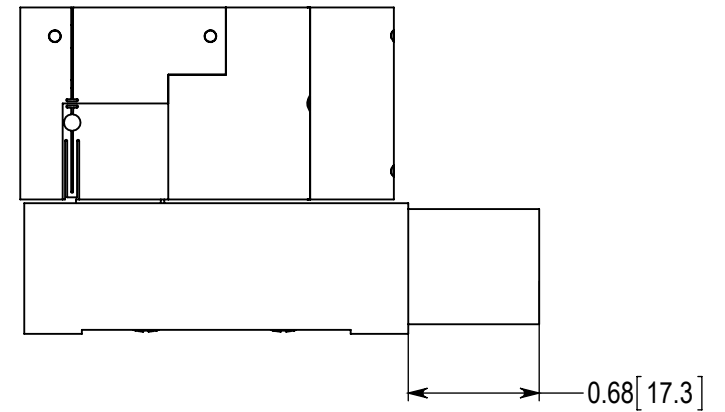
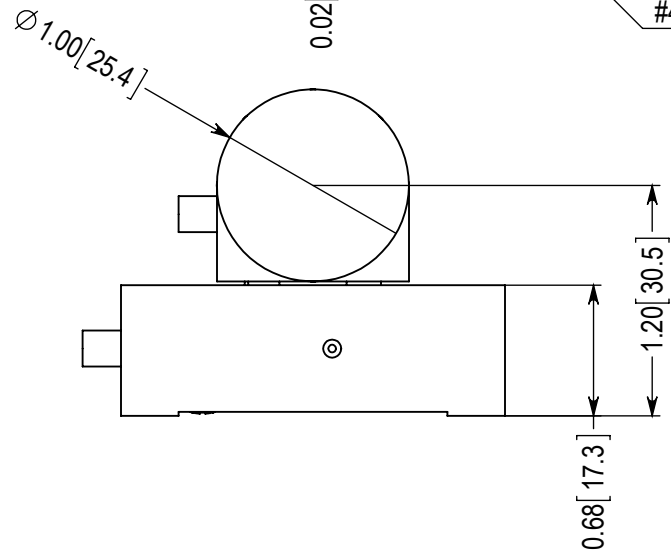


4 x C-Bored for #4 SHCAP screw



MTA2-10 mrad

Dimensions are in inches [mm]

Drawing No.

MTA2-10mrad dim

DRAWING IS TO BE USED AS A GUIDE ONLY. DIMENSIONS ARE SUBJECT TO CHANGE WITHOUT NOTICE. THE INFORMATION CONTAINED IN THIS DRAWING IS THE SOLE PROPERTY OF MAD CITY LABS. ANY REPRODUCTION IN PART OR AS A WHOLE IS PROHIBITED.