

Drawing dimensions are in inches

XY micro stage with 25mmx25mm travel.
Stepper motor version and manual version available.

Fully integrable with Mad City Labs
nanopositioners.

Precision aligned shelves. Shelf height
can be set at 7 different levels, in 1.000
inch increments. Six shelf brackets included.

Removeable brackets allow for
quick attachment to vibration
isolation table.

Precision aligned objective lens mount.
RMS, M25, M26, M27, and M32 threads available.
Translates 50 mm with 95 nm steps,
20 nm encoder option available.

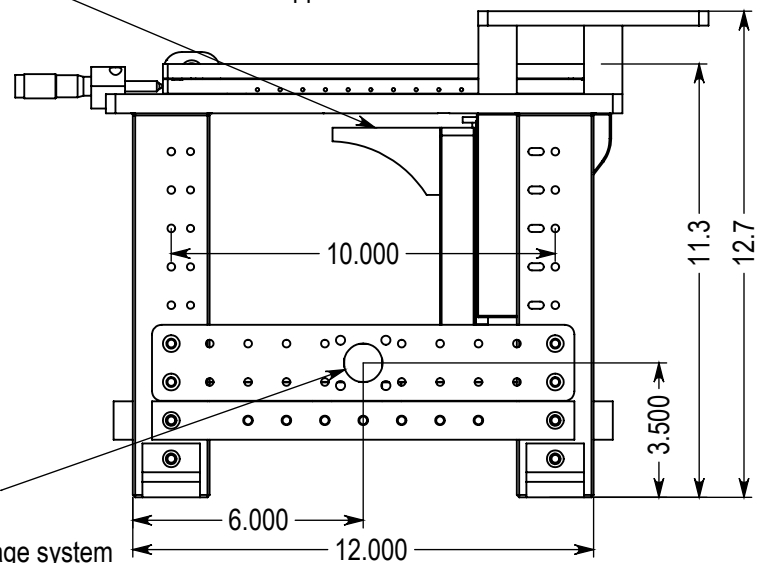
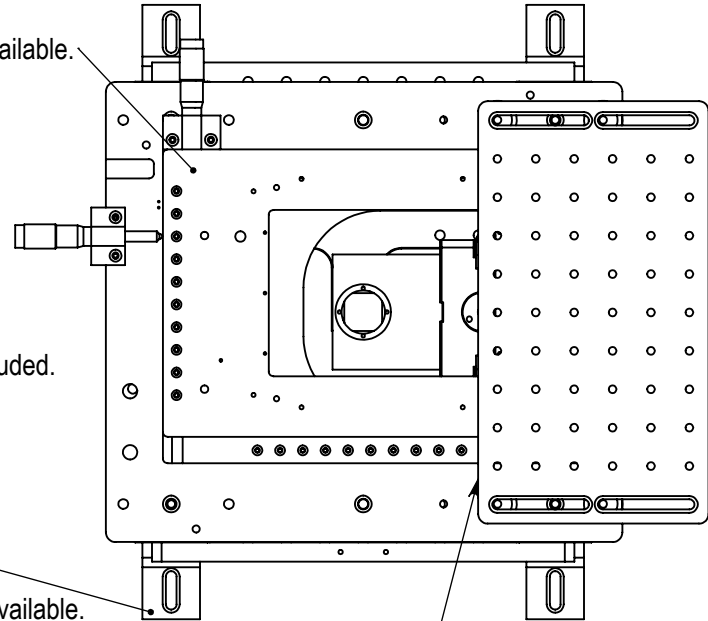
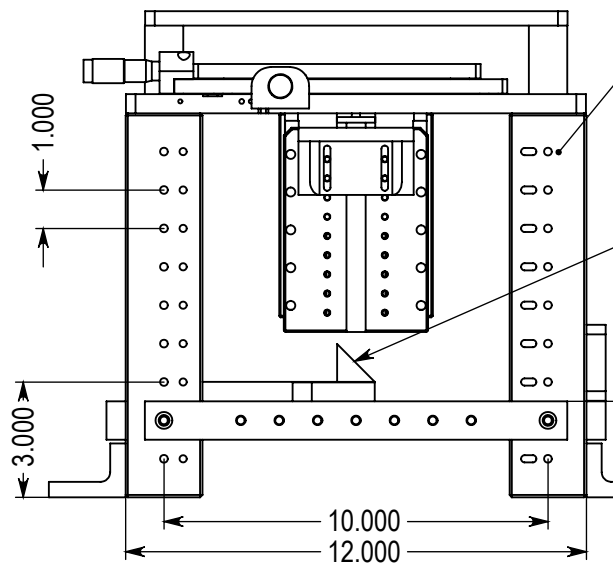
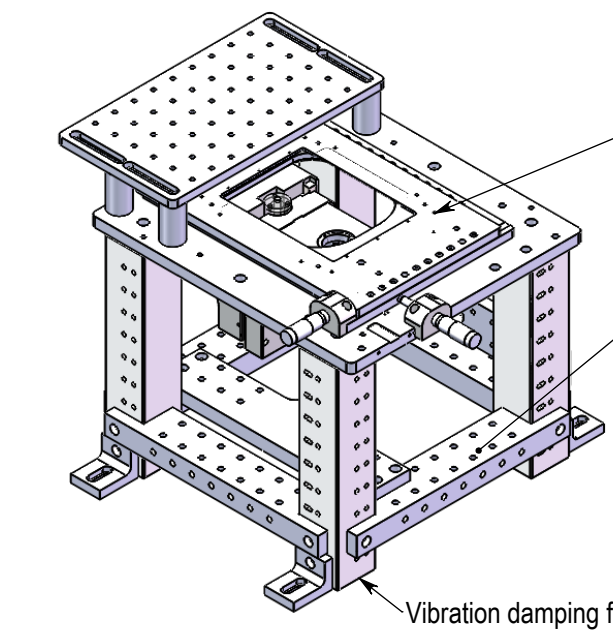
Translatable breadboard
with 54 1/4x20 tapped holes

Over 200 1/4x20 tapped holes all
located on a 3 dimensional 1.000 inch grid.

Precision aligned 45 degree mirror
transports image to camera or other
detector.

Side breadboard with precision
aligned SM1 aperture, and mounting
features for 30 mm cage system.
Three side breadboards are included.

Also includes a precision aligned SM1/30 mm cage system
bottom plate for precision alignment of optical components.



RM21 Microscopy platform

This drawing is the property of Mad City Labs Inc. No part of it may be reproduced without the express permission of Mad City Labs Inc.

The RM21 is available with either a stepper motor driven XY micro stage or a manual XY micro stage. The manual configuration is shown.

Axis	Range of motion	linear encoder resolution (optional)
X	25 mm	20 nm (motorized XY only)
Y	25 mm	20 nm (motorized XY only)
Z	50 mm	20 nm