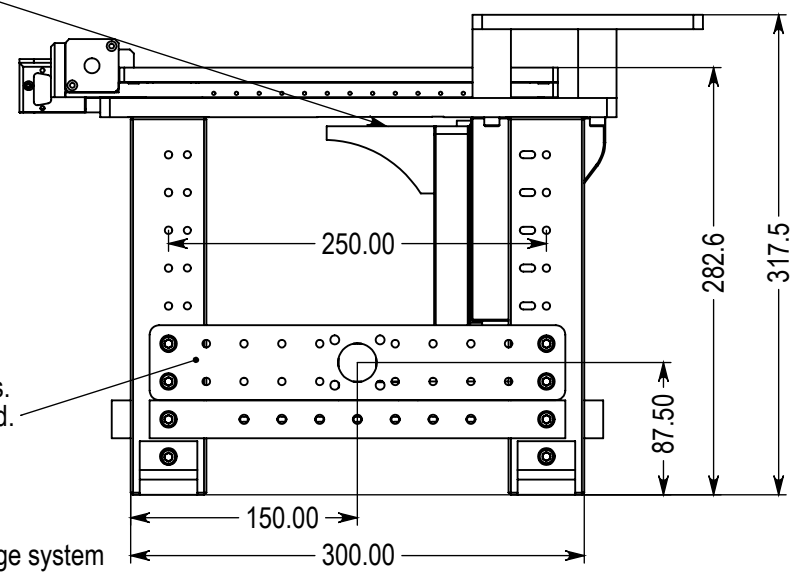
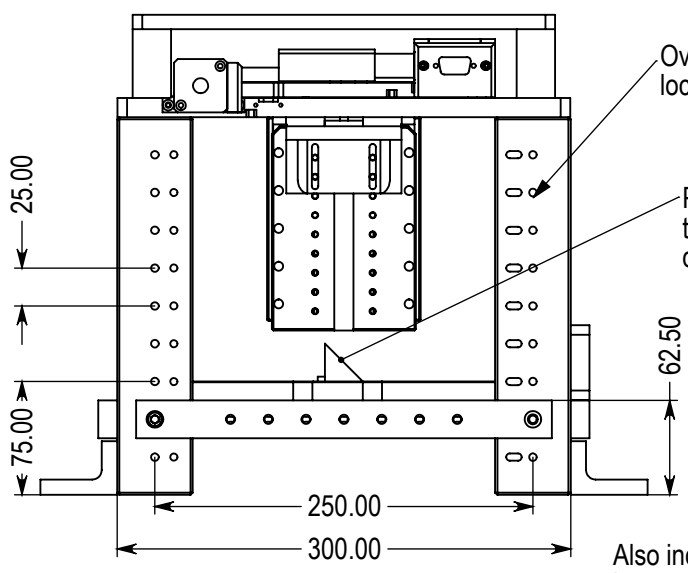
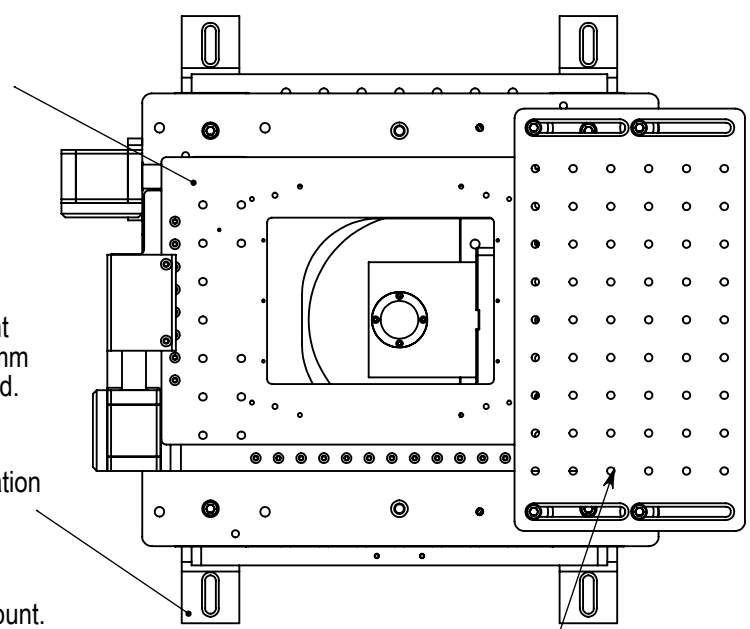
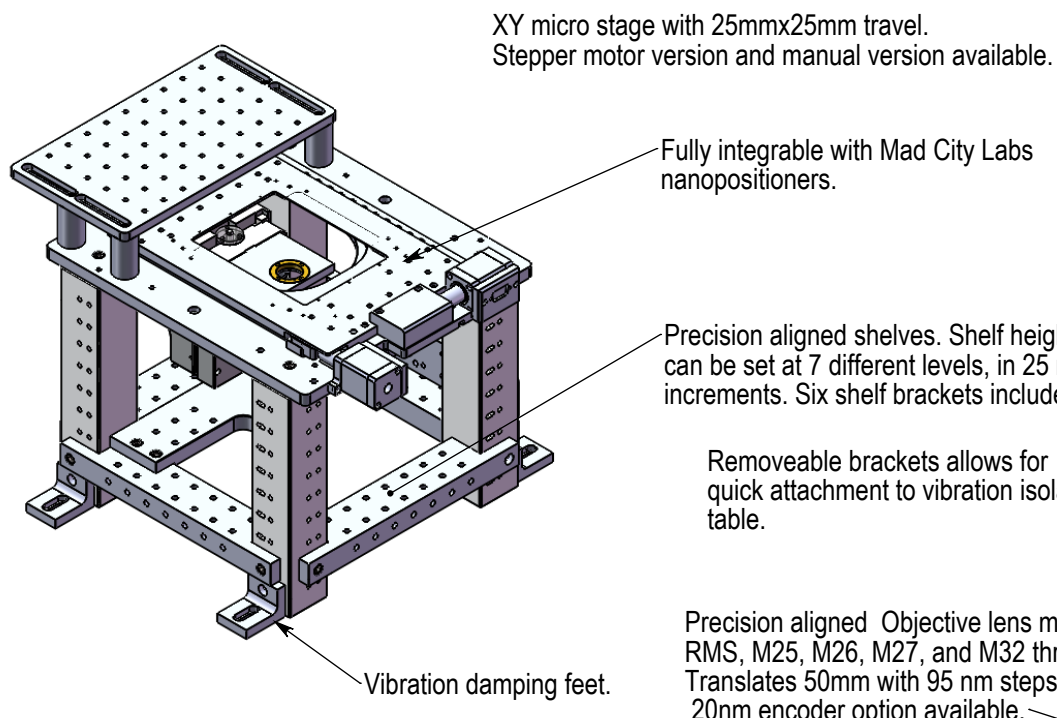


Drawing dimensions are in mm



RM21 Microscopy platform Metric Version

This drawing is the property of Mad City Labs Inc. No part of it may be copied or reproduced without the express permission of Mad City Labs Inc.

The RM21 is available with either a stepper motor driven XY micro stage or a manual XY micro stage. The stepper motor configuration is shown.

Axis	Range of motion	linear encoder resolution (optional)
X	25 mm	20 nm (motorized XY only)
Y	25 mm	20 nm (motorized XY only)
Z	50 mm	20 nm